

BREWHOUSE OPTIONS

ORIENTATION:

- MASH LEFT/KETTLE RIGHT
- MASH RIGHT/KETTLE LEFT

MASH SIDE MANWAY LOCATION:

- OPTION 1: Straight out side
- OPTION 2: Angled 45°

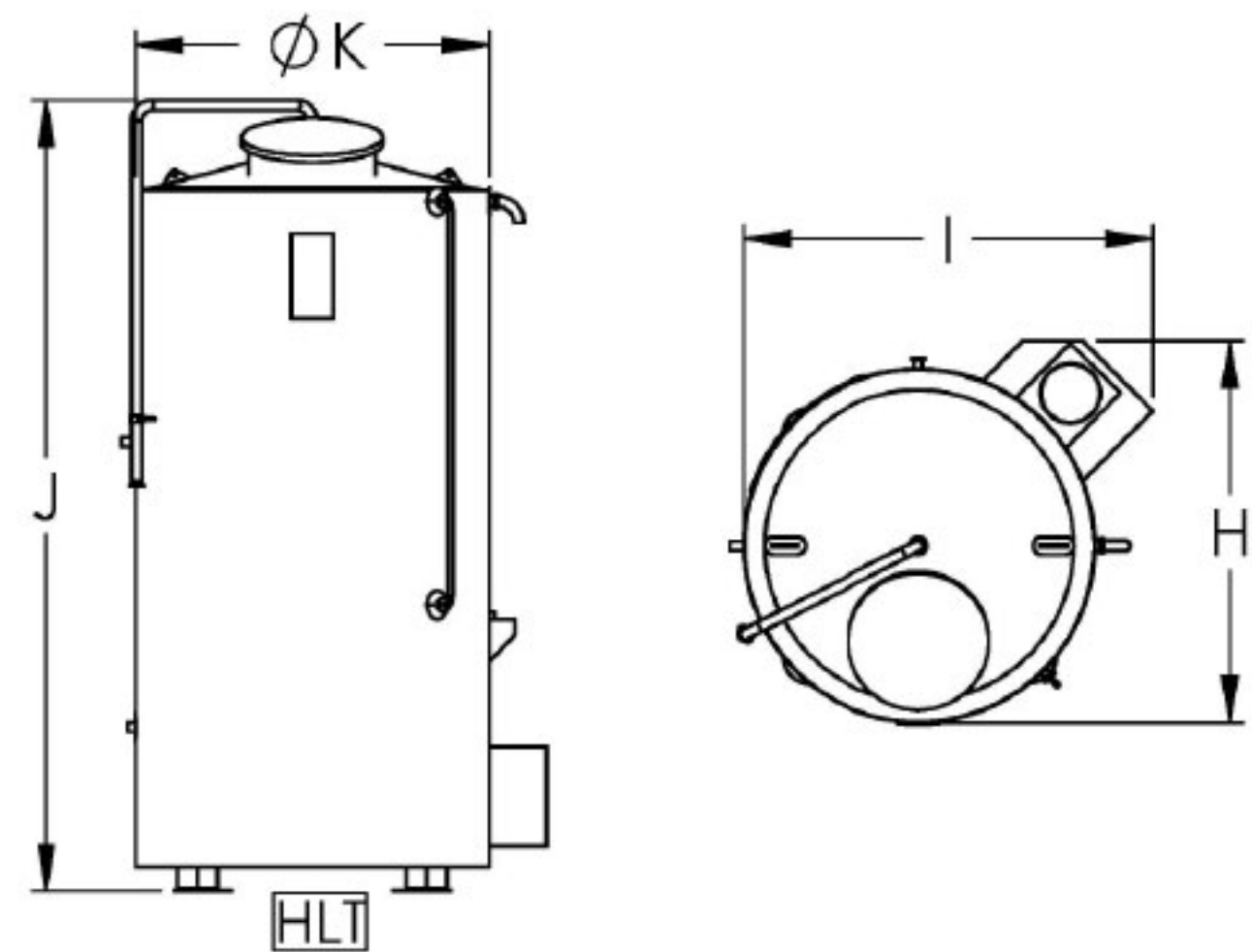
HEAT SOURCE:

- OPTION 1: Natural Gas
- OPTION 2: Propane

DF Brewhouse Size	Capacity (gal)		Dimensions (inches)						
	Mash Tun	Boil Kettle	A	B	C	D (approx)	E (approx)	F (approx)	G
5	259	316	50	36	50	88	148	81.5	42.5
7	345	395	50	48	50	100	148	87	51.5
10	441	510	64	36	56	102	168	90	51.5
15	588	824	64	48	64	114	176	99	60.5

System Weights	System Size			
	5 BBL (10 BBL HLT)	7 BBL (15 BBL HLT)	10 BBL (20 BBL HLT)	15 BBL (30 BBL HLT)
Empty (lbs)	3966	4408	4838	6033
Live (lbs)*	9236	12908	15378	22183

*Live assumes Mash/Kettle/HLT all full to capacity (all weights are approximate)



DF HLT Size	HLT Capacity (gal)	Dimensions (inches)			
		H (approx)	I (approx)	J (approx)	K
10	328	55	60	90	50
15	486	55	60	114	50
20	628	61	66	115	56
30	947	68	73	128	63



PKW DIRECT FIRE LINEAR BREWHOUSE SPECS

BREWERY NAME: _____

- Approved
- Approved with Revisions
- Not Approved

Customer Signature _____ Printed Name _____ Date _____

Office: 503-236-4500
Fax: 503-236-4513
Main Contact: 503-314-7134 (Joe W)
 971-322-7357 (Chris S)

Main Contact: Joe@Portlandkettleworks.com
 Chris@PortlandKettleWorks.com
Design: Maggie@PortlandKettleWorks.com
Manufacturing: Patrick@PortlandKettleWorks.com

www.PortlandKettleWorks.Com