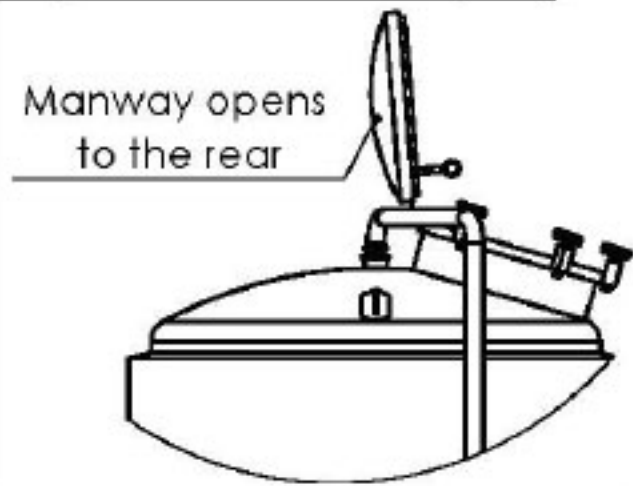
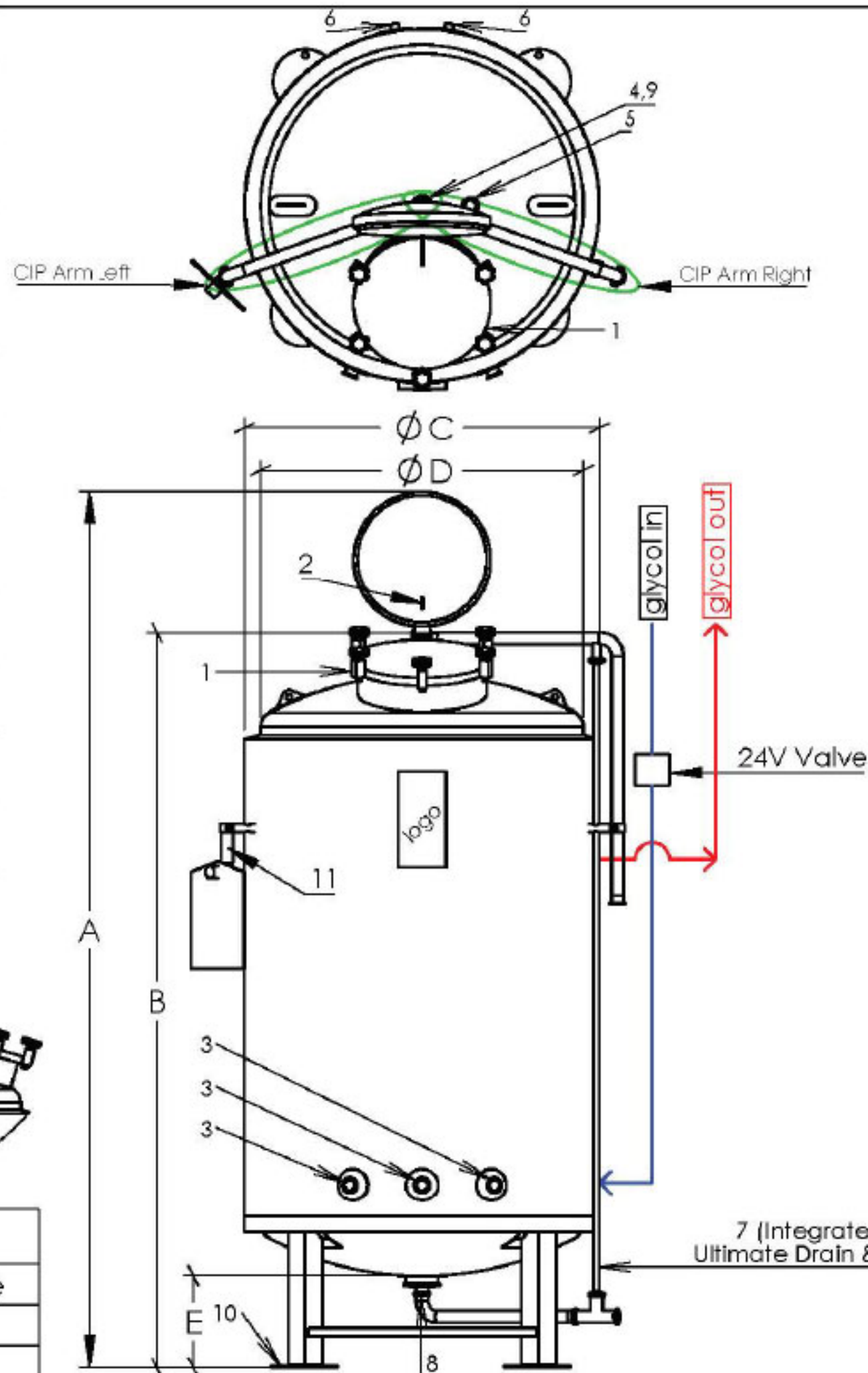


#	Part	Qty
1	Manway	1
2	Hop Hook	1
3	1.5" TC Port	2
4	2" TC Port (CIP)	1
5	1.5" TC Port (PRV)	1
6	MNPT (Glycol) see below for port size	2
7	Sight Tube Assembly	1
8	4" to 1.5" TC Ultimate Drain	1
9	Sprayball	1
10	Ø8" Foot Pad	Leg #
11	Clipboard Hook	1



Glycol Port Sizes

Tank Size	MNPT Size
3.5-15 BBL	1"
20-60 BBL	1.5"

Model #	Select	Capacity (BBL)*	Capacity (gal)*	Sidewall Capacity	Tank Dimensions (inch)					Loads (lbs)		Legs #
					A*	B*	C	D	E	Empty*	Live*	
3.5BT30JI		3.5	124.2	3.1	81	66	34	30	~10	350	1435	3
5BT36JI		5	178.4	4.4	83	68	40	36	~10	500	2050	3
7BT36JI		7	231.2	4.4	95	80	40	36	~10	700	2870	3
10BT40JI		10	352.6	5.4	108	93	44	40	~10	1000	4100	4
15BT48JI		15	503.5	7.8	110	95	52	48	~10	1500	6150	4
20BT55JI		20	683.3	10.3	112	97	59	55	~10	2000	8200	4
30BT60JI		30	987.1	12.2	125	110	64	60	~10	3000	12300	5
40BT60JI		40	1317	12.2	149	134	64	60	~10	4000	16400	5
60BT75JI		60	1969.5	19.1	158	143	79	75	~10	6000	24600	5

NOTES: \*APPROXIMATE DIMENSION \*\*STANDARD \*\*\*AVAILABLE AT ADDITIONAL COST

Tank #: \_\_\_\_\_

**MANWAY LOCATIONS:**  
please indicate your preferred manway location for the corresponding tank #

Option 1: Top\*\*

Option 2: Side\*\*\*  
(additional cost)



COMMENTS:

CIP Arm location is interchangeable.  
Located on left or right side of tank.

PKW will provide 25m temp probe wire for each tank

## PKW J&I BRITE TANK SPECS

BREWERY NAME: \_\_\_\_\_

Approved

Approved with Revisions

Not Approved

Customer Signature

Printed Name

Date



**Office:** 503-236-4500  
**Fax:** 503-236-4513  
**Main Contact:** 503-314-7134 (Joe W)  
971-285-4817 (Chris S)

**Main Contact:** Joe@Portlandkettleworks.com  
Chris@PortlandKettleWorks.com  
**Design:** Stephan@PortlandKettleWorks.com  
**Manufacturing:** Patrick@PortlandKettleWorks.com

www.PortlandKettleWorks.Com