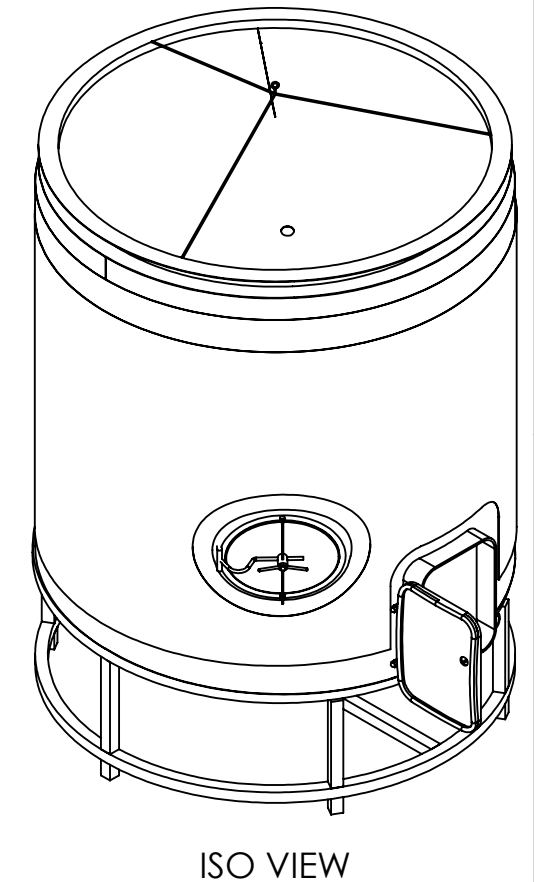
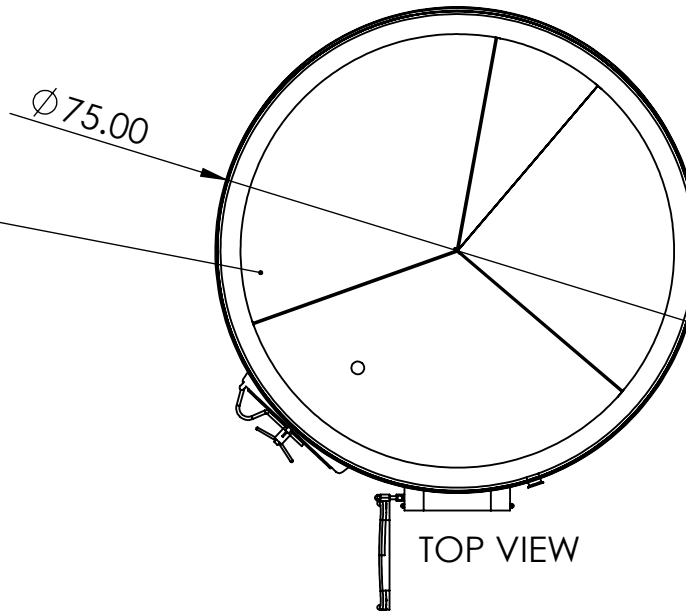
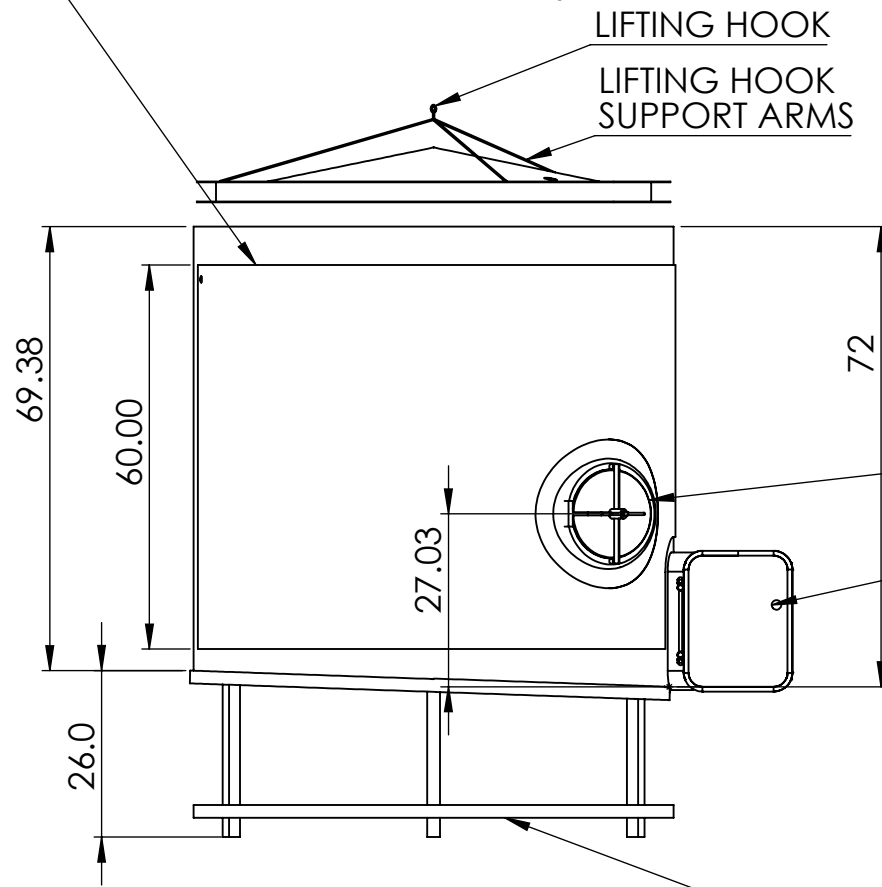


FLOATING LID FOR VARIABLE CAPACITY



Energy saving precision laser welded dimple cooling jackets, engineered to maximize turbulence and minimize load on the glycol cooling system, low and high pressure options available for glycol.

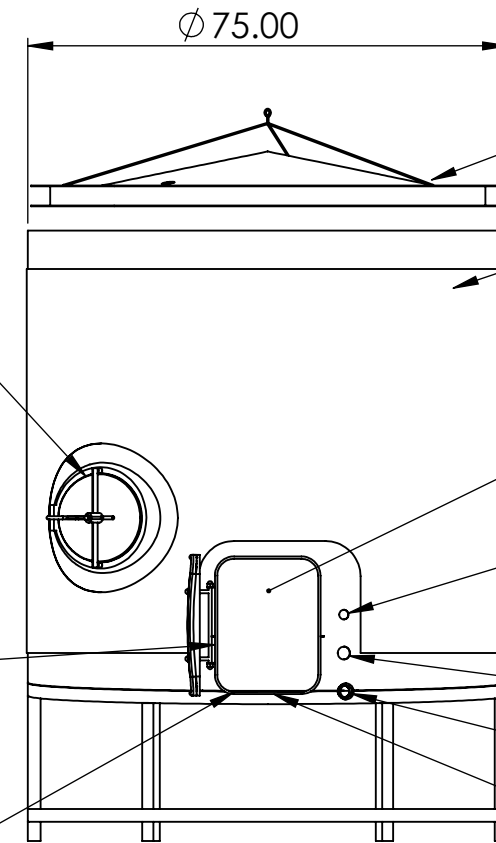


DUAL ACTION MANWAY
Dual manway, top inswing/outswing manway for racking access

Drainage sump and ports are housed in a precision engineered, removable drain screen inside the tank

SAMPLE PORT
OUTSWING OPENING MANWAY

Lower square dump out manway allows complete cleanout of pomace and wash debris



FLOATING LID

DIMPLE JACKET

Smooth 2-B interior finish, blended and made sanitary at all weldment

TEMP PORT w/ protective temperature control shield

DIMPLE JACKET

RACKING PORT

SUMP DRAIN

SLOPED FLOOR

SIDE VIEW

Option for either floor mount or mounted on PKW's proprietary ring stand.

FRONT VIEW



PORTLAND KETTLE WORKS

PROPRIETARY AND CONFIDENTIAL
THE INFORMATION CONTAINED IN THIS DRAWING IS THE SOLE PROPERTY OF PORTLAND KETTLE WORKS. ANY REPRODUCTION IN PART OR AS A WHOLE WITHOUT THE WRITTEN PERMISSION OF PORTLAND KETTLE WORKS IS PROHIBITED.

UNLESS OTHERWISE SPECIFIED:		NAME	DATE	TITLE:	
DIMENSIONS ARE IN INCHES	INTERPRET GEOMETRIC TOLERANCING PER: ASME	DRAWN	SF	WINE FERMENTER	
TOLERANCES:	MATERIAL	CHECKED		SIZE	PART NUMBER
FRACTIONAL: ± 1/8	FINISH	ENG APPR.		B	Wine Fermenter
ANGULAR: ±1°		MFG APPR.		SCALE: 1:50	WEIGHT:
TWO PLACE DECIMAL: ±0.01		Q.A.			SHEET 1 OF 1
THREE PLACE DECIMAL: ±0.005	DO NOT SCALE DRAWING				